

Procedure for Installing the Speco Technologies 10" In-wall Subwoofer SPW-1000

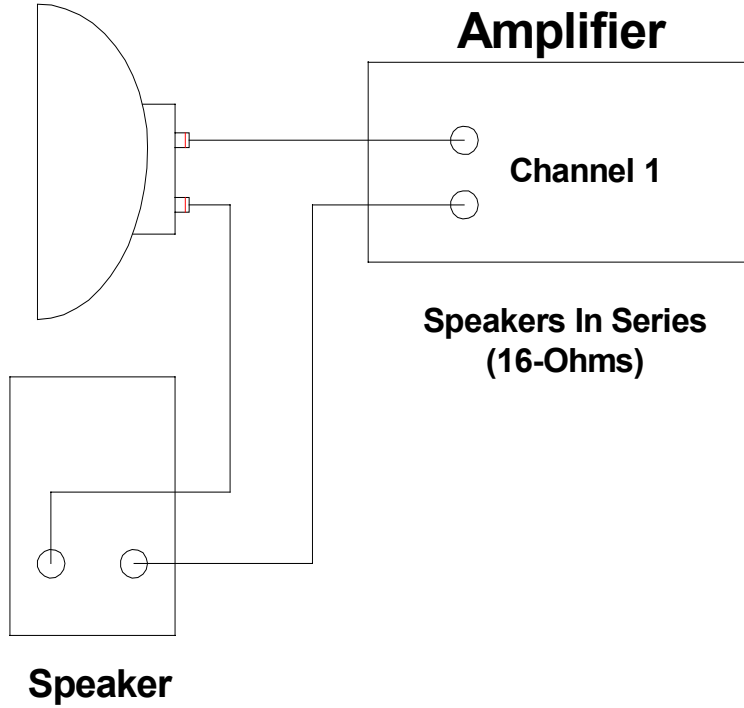
1. Remove the speaker from the carton and take off the plastic cover.
2. Remove the grill from the front of the unit exposing the four screw holes in front of the speaker.
3. Take one of four screws that came with the unit and put it through one of the mounting holes.
4. Place one of the shock absorbing washers onto the mounting screws on the back of the subwoofer.
5. Now screw the back bracket onto mounting screw. Using the smooth surface of the bracket towards the back of the subwoofer.
6. Now you can place the other three screws in the same way as in steps 3 through 5.
7. After connecting your speaker wires to the SPW-1000, you can mount the unit into the wall.

Note: The two plastic strips that come in the package are for additional support if the wall you are mounting onto is not thick enough to mount the subwoofer.

8. On most surround sound systems there is a provision for the subwoofer output. You can use 18-gauge wire to connect to this output on your amplifier. Go with 16 gauge if you are going further than 30 feet.
If the amplifier you are using does not have a separate output for the subwoofer, you can hook them up like you would an 8-ohm speaker. In series with a conventional 8-ohm speaker will give you 16 ohms. In parallel with the speakers will give you 4-ohms of impedance.

SPW-1000

Subwoofer



Subwoofer

